

**Core Focus**  
鑫密科技企業有限公司

40148 台中市東區振興路280巷20-2號  
電話：04-22135928  
傳真：04-22130155  
電子郵件：core.focus156@gmail.com  
網址：http://www.cf-lights.com



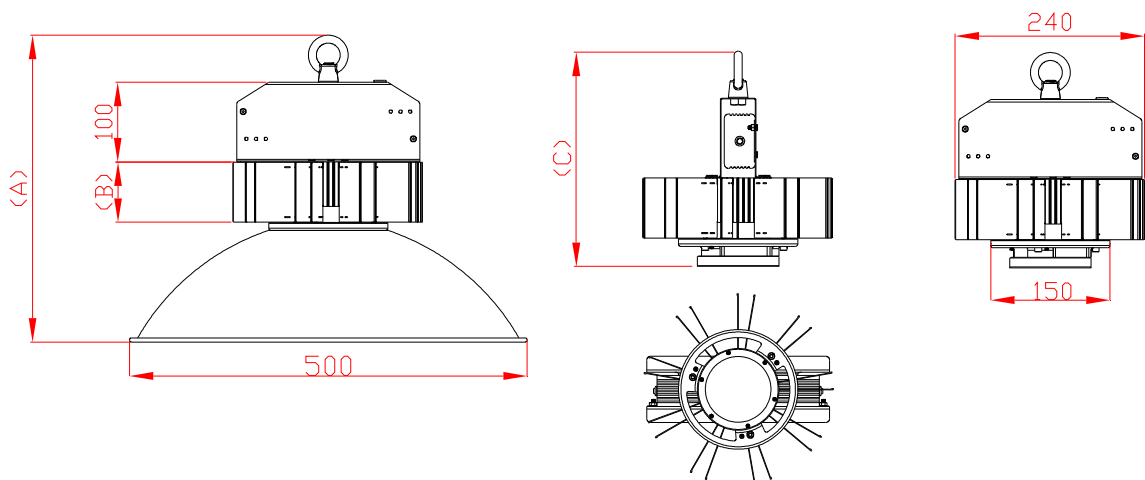
**PART NO.:CF-HB-90W**  
**High Bay Light**  
**LED Lamp**

Legend(圖例) :



Dimensions(尺寸):

90W:



PART NO.	(A) ± 3.0(mm)	(B) ± 3.0(mm)	(C) ± 3.0(mm)
CF-HB-90W 80°	385 mm	75mm	290 mm
CF-HB-90W 110°	385 mm	75 mm	270 mm

1. All dimensions are in millimeters.
2. Tolerance is  $\pm 0.5$  mm( $\pm 0.02$  inch) unless otherwise noted.



**Description**

Part No.	Emitting Color	CCT	Operation Voltage
CF-HB White	White	6250K	90-305 VAC
		WE、WF、WG	

**Absolute Maximum Ratings at Ta=25 °C**

Parameter	Symbol	Rating	Unit
Operating Temperature Range	Topr.	-40 to +50	°C
Storage Temperature Range	Tstg.	-40 to +60	°C
Electric Static Discharge Threshold (HBM)	ESD	6000	V
Operating Humidity ( non – condensing )	%	20~90	RH



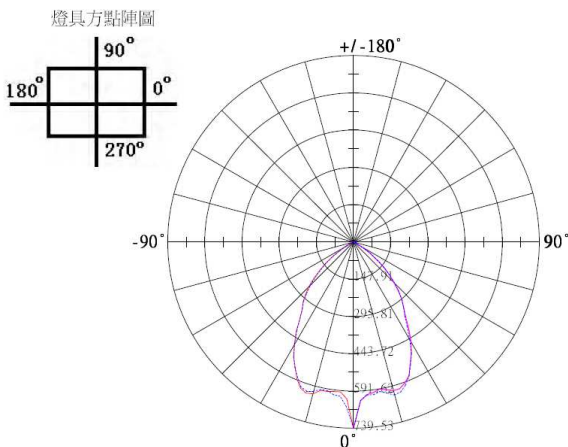
## CF-HB-90W White Series

PART NO. : CF-HB-90W 80°	Symbol	Condition	Min.	Typ.	Max.	Unit
Parameter						
Luminous Flux	$\Phi_v$	90-305 VAC	5900	7000	-	lm
Correlated Color Temperature	CCT	90-305 VAC	5750	6250	6750	K
Color Index	%	90-305 VAC	70	-	-	Ra
Viewing Angle	$\Delta \theta$	90-305 VAC	--	80°	--	Deg
Illuminance @ 1M distance		90-305 VAC	10200	12000	--	Lux
Illuminance @ 5M distance		90-305 VAC	400	470	--	Lux
Illuminance @ 8M distance		90-305 VAC	175	205	--	Lux
Illuminance @ 10M distance		90-305 VAC	100	120	--	Lux
Illuminance @ 12M distance		90-305 VAC	65	80	--	Lux
Power Consumption	PD	90-305 VAC	--	85	98	W
Power Factor		90-305 VAC	0.92	0.95	--	
Finished weight			--	3	3.5	kg

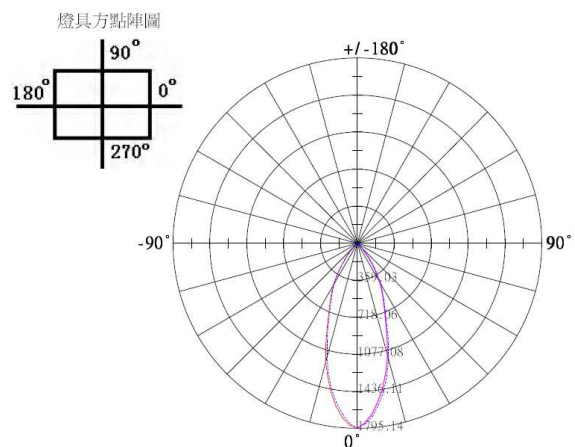


PART NO. : CF-HB-90W 110°	Symbol	Condition	Min.	Typ.	Max.	Unit
Parameter						
Luminous Flux	$\Phi_v$	90-305 VAC	7100	8350	-	lm
Correlated Color Temperature	CCT	90-305 VAC	5750	6250	6750	K
Color Index	%	90-305 VAC	70	-	-	Ra
Viewing Angle	$\Delta \theta$	90-305 VAC	--	110°	--	Deg
Illuminance @ 1M distance		90-305 VAC	3480	4100		Lux
Illuminance @ 5M distance		90-305 VAC	210	250		Lux
Illuminance @ 8M distance		90-305 VAC	70	85		Lux
Illuminance @ 10M distance		90-305 VAC	50	60		Lux
Illuminance @ 12M distance		90-305 VAC	35	45		Lux
Power Consumption	PD	90-305 VAC	--	85	98	W
Power Factor		90-305 VAC	0.92	0.95	--	
Finished weight			--	3	3.5	kg

### Radiation Diagram



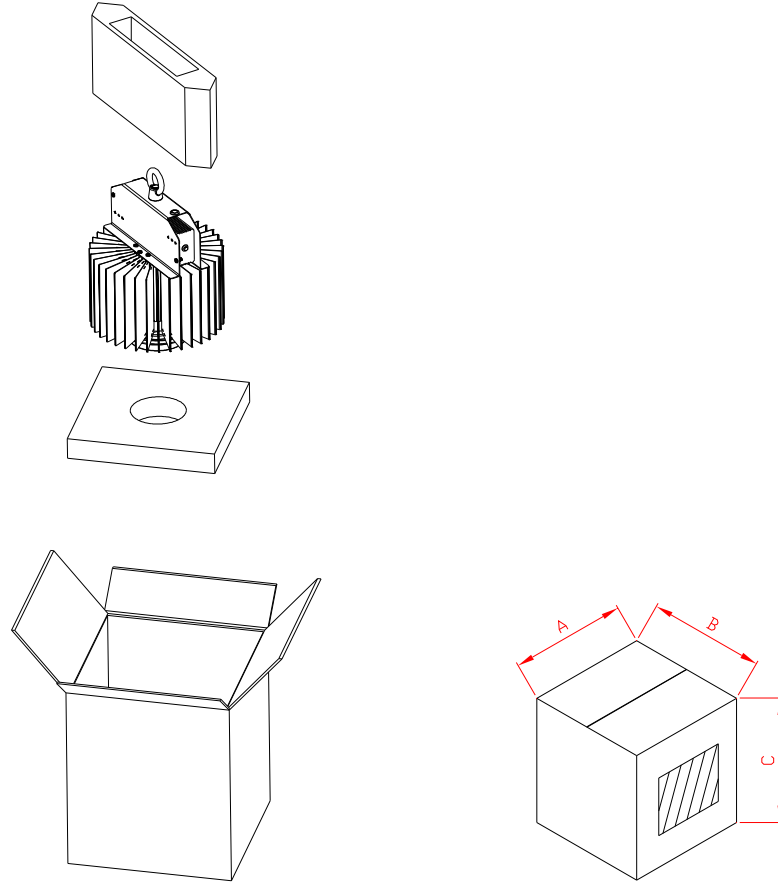
CF-HB Series 110°



CF-HB Series 80°



### Packing method



Part No.	A (mm)	B (mm)	C (mm)
CF-HB-90W	290	290	324



**Packing method**

