

Core Focus
鑫密科技企業有限公司

40148 台中市東區振興路280巷20-2號
電話：04-22135928
傳真：04-22130155
電子郵件：core.focus156@gmail.com
網址：http://www.cf-lights.com



PART NO.:CF-HB-50W
High Bay Light
LED Lamp

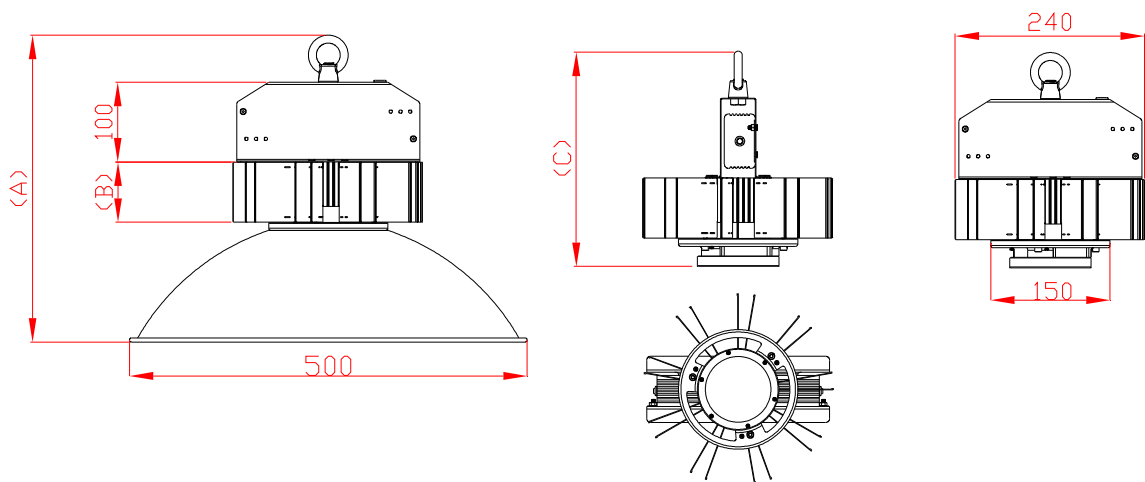


Legend(圖例) :



Dimensions(尺寸):

50W



PART NO.	(A) ± 3.0(mm)	(B) ± 3.0(mm)	(C) ± 3.0(mm)
CF-HB-50W 80°	385 mm	75 mm	290 mm
CF-HB-50W 110°	385 mm	75 mm	270 mm

1. All dimensions are in millimeters.
2. Tolerance is ±0.5 mm(±0.02 inch) unless otherwise noted.



鑫密科技企業有限公司

CF-HB-50W

High Bay Ligh

Description

Part No.	Emitting Color	CCT	Operation Voltage
CF-HB Whie	White	6250K	90-305 VAC
		WE、WF、WG	

Absolute Maximum Ratings at Ta=25 °C

Parameter	Symbol	Rating	Unit
Operating Temperature Range	Topr.	-40 to +50	°C
Storage Temperature Range	Tstg.	-40 to +60	°C
Electric Static Discharge Threshold (HBM)	ESD	6000	V
Operating Humidity (non – condensing)	%	20~90	RH



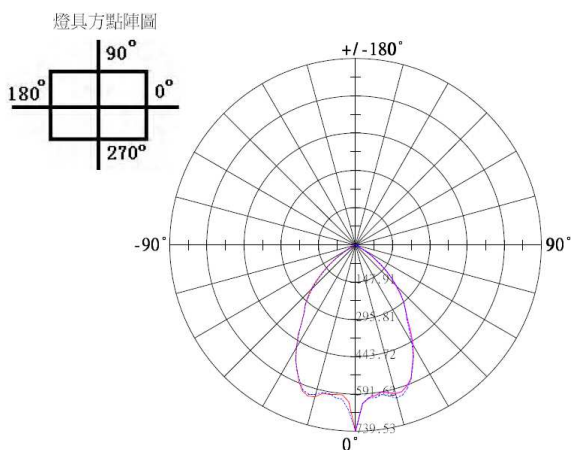
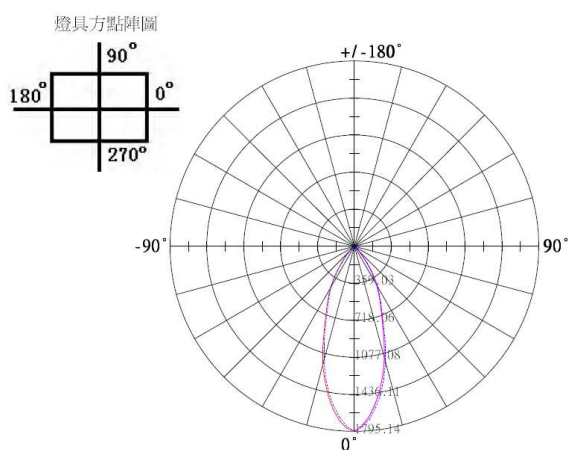
Electrical And Optical Characteristics(光電特性):

CF-HB-50W White **Series**

PART NO. : CF-HB-50W 80°	Symbol	Condition	Min.	Typ.	Max.	Unit
Parameter						
Luminous Flux	Φ_v	90-305 VAC	4500	5400	-	lm
Correlated Color Temperature	CCT	90-305 VAC	5750	6250	6750	K
Color Index	%	90-305 VAC	70	-	-	Ra
Viewing Angle	$\Delta \theta$	90-305 VAC	--	80°	--	Deg
Illuminance @ 1M distance		90-305 VAC	7200	8500	--	Lux
Illuminance @ 4M distance		90-305 VAC	445	525	--	Lux
Illuminance @ 5M distance		90-305 VAC	305	360	--	Lux
Illuminance @ 6M distance		90-305 VAC	200	235	--	Lux
Illuminance @ 8M distance		90-305 VAC	110	130	--	Lux
Power Consumption	PD	90-305 VAC	--	50	58	W
Power Factor		90-305 VAC	0.92	0.95	--	
Finished weight			--	3	3.5	kg

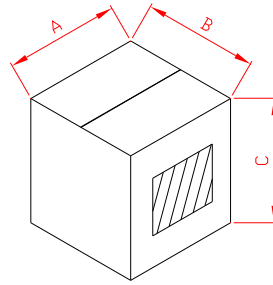
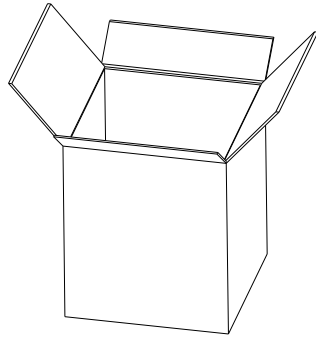
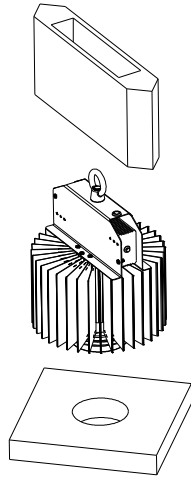
PART NO. : CF-HB-50W 110°	Symbol	Condition	Min.	Typ.	Max.	Unit
Parameter						
Luminous Flux	Φ_v	90-305 VAC	4700	5600	-	lm
Correlated Color Temperature	CCT	90-305 VAC	5750	6250	6750	K
Color Index	%	90-305 VAC	70	-	-	Ra
Viewing Angle	$\Delta \theta$	90-305 VAC	--	110°	--	Deg
Illuminance @ 1M distance		90-305 VAC	2290	2700	--	Lux
Illuminance @ 4M distance		90-305 VAC	240	285	--	Lux
Illuminance @ 5M distance		90-305 VAC	125	150	--	Lux
Illuminance @ 6M distance		90-305 VAC	105	125	--	Lux
Illuminance @ 8M distance		90-305 VAC	60	70	--	Lux
Power Consumption	PD	90-305 VAC	--	50	58	W
Power Factor		90-305 VAC	0.92	0.95	--	
Finished weight			--	3	3.5	kg

Radiation Diagram


CF-HB Series 110°

CF-HB Series 80°



Packing method



Part No.	A (mm)	B (mm)	C (mm)
CF-HB-50W	290	290	324



Packing method

