

Core Focus
鑫密科技企業有限公司

40148 台中市東區振興路280巷20-2號
電話：04-22135928
傳真：04-22130155
電子郵件：core.focus156@gmail.com
網址：<http://www.cf-lights.com>



PART NO.:CF-HB-200W
High Bay Light
LED Lamp

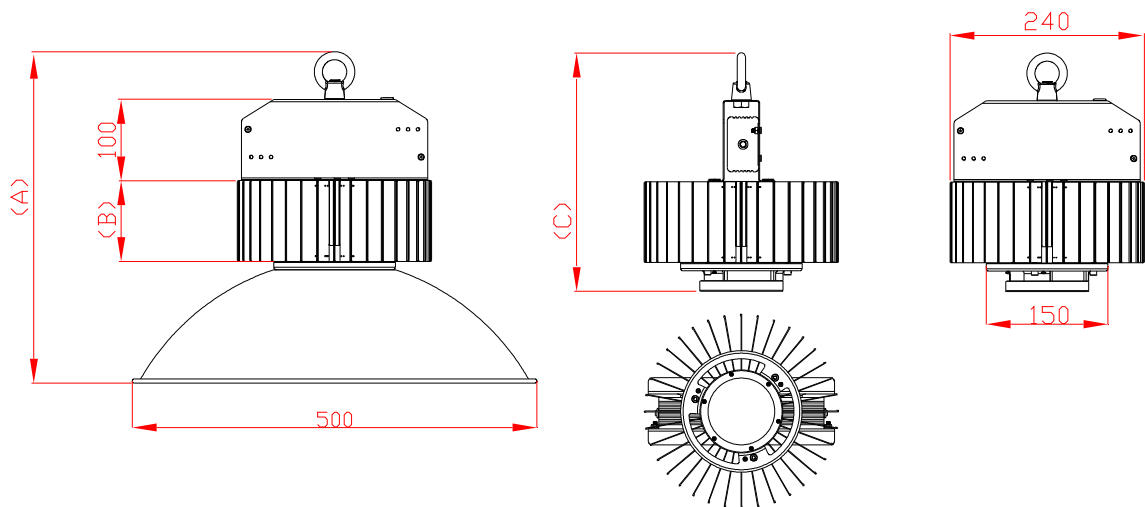


Legend(圖例) :



Dimensions(尺寸):

200W:



PART NO.	(A) ± 3.0(mm)	(B) ± 3.0(mm)	(C) ± 3.0(mm)
CF-HB-200W 80°	410 mm	100 mm	315 mm
CF-HB-200W 110°	410 mm	100 mm	295 mm

1. All dimensions are in millimeters.
2. Tolerance is ±0.5 mm(±0.02 inch) unless otherwise noted.



Description

Part No.	Emitting Color	CCT	Operation Voltage
CF-HB White	White	6250K	90-305 VAC
		WE、WF、WG	

Absolute Maximum Ratings at Ta=25 °C

Parameter	Symbol	Rating	Unit
Operating Temperature Range	Topr.	-40 to +50	°C
Storage Temperature Range	Tstg.	-40 to +60	°C
Electric Static Discharge Threshold (HBM)	ESD	6000	V
Operating Humidity (non – condensing)	%	20~90	RH



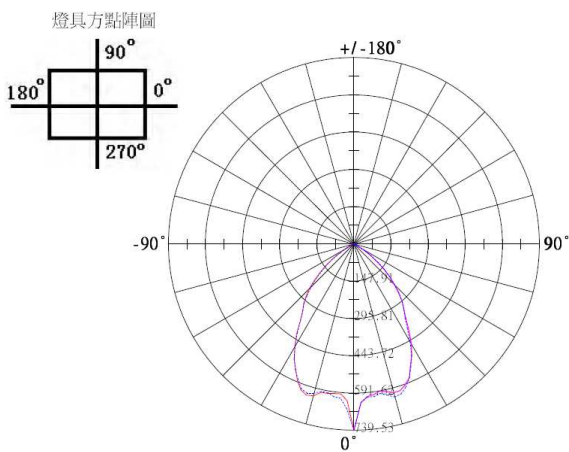
CF-HB-200W White Series

PART NO. : CF-HB-200W 80°	Symbol	Condition	Min.	Typ.	Max.	Unit
Parameter						
Luminous Flux	Φ_v	90-305 VAC	13750	16300	-	lm
Correlated Color Temperature	CCT	90-305 VAC	5750	6250	6750	K
Color Index	%	90-305 VAC	70	-	-	Ra
Viewing Angle	$\Delta \theta$	90-305 VAC	--	80°	--	Deg
Illuminance @ 1M distance		90-305 VAC	20400	24000	--	Lux
Illuminance @ 8M distance		90-305 VAC	380	450	--	Lux
Illuminance @ 10M distance		90-305 VAC	210	245	--	Lux
Illuminance @ 12M distance		90-305 VAC	145	170	--	Lux
Illuminance @ 15M distance		90-305 VAC	90	110	--	Lux
Power Consumption	PD	90-305 VAC	--	190	215	W
Power Factor		90-305 VAC	0.92	0.95	--	
Finished weight			-	4	4.5	kg

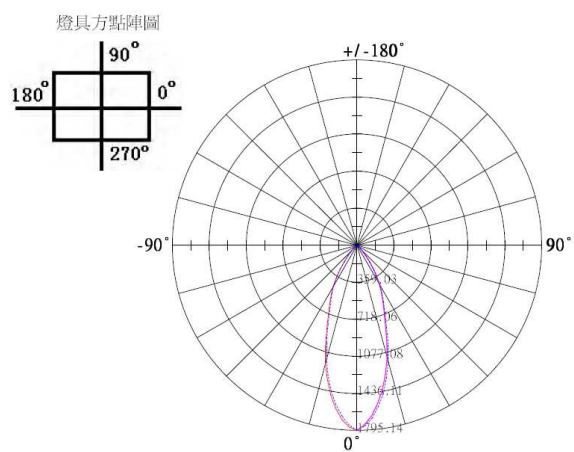


PART NO. : CF-HB-200W 110°	Symbol	Condition	Min.	Typ.	Max.	Unit
Parameter						
Luminous Flux	Φ_v	90-305 VAC	14050	16650	-	lm
Correlated Color Temperature	CCT	90-305 VAC	5750	6250	6750	K
Color Index	%	90-305 VAC	70	-	-	Ra
Viewing Angle	$\Delta \theta$	90-305 VAC	--	110°	--	Deg
Illuminance @ 1M distance		90-305 VAC	6850	8100	--	Lux
Illuminance @ 8M distance		90-305 VAC	140	165	--	Lux
Illuminance @ 10M distance		90-305 VAC	110	130	--	Lux
Illuminance @ 12M distance		90-305 VAC	75	90	--	Lux
Illuminance @ 15M distance		90-305 VAC	50	60	--	Lux
Power Consumption	PD	90-305 VAC	--	190	215	W
Power Factor		90-305 VAC	0.92	0.95	--	
Finished weight			-	4	4.5	kg

Radiation Diagram



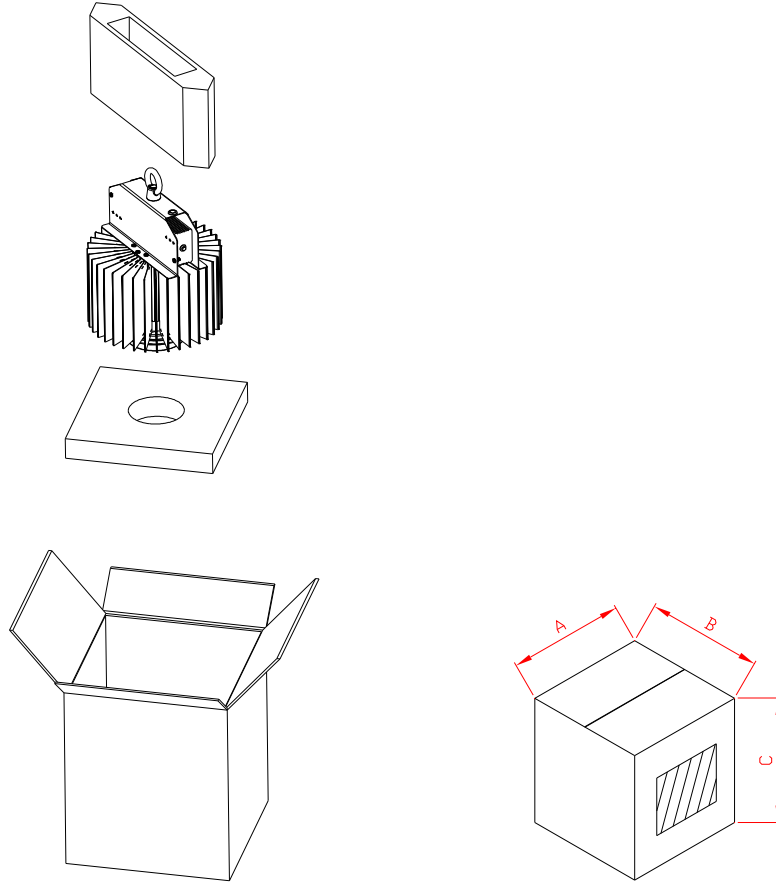
CF-HB Series 110°



CF-HB Series 80°



Packing method



Part No.	A (mm)	B (mm)	C (mm)
CF-HB-200W	290	290	349



Packing method

