

Core Focus
鑫密科技企業有限公司

40148 台中市東區振興路280巷20-2號
電話：04-22135928
傳真：04-22130155
電子郵件：core.focus156@gmail.com
網址：http://www.cf-lights.com



PART NO.:CF-HB-150W
High Bay Light
LED Lamp

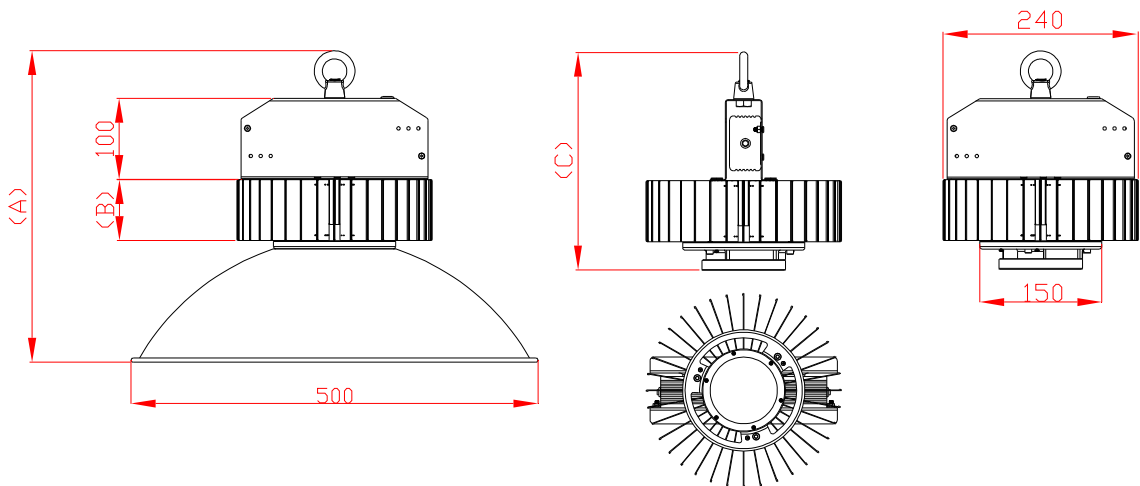


Legend(圖例) :



Dimensions(尺寸):

150W



| PART NO. | (A) ± 3.0(mm) | (B) ± 3.0(mm) | (C) ± 3.0(mm) |
|-----------------|---------------|---------------|---------------|
| CF-HB-150W 80° | 385 mm | 75 mm | 290 mm |
| CF-HB-150W 110° | 385 mm | 75 mm | 270 mm |

1. All dimensions are in millimeters.
2. Tolerance is ±0.5 mm(±0.02 inch) unless otherwise noted.



Description

| Part No. | Emitting Color | CCT | Operation Voltage |
|-------------|----------------|----------|-------------------|
| CF-HB White | White | 6250K | 90-305 VAC |
| | | WE、WF、WG | |

Absolute Maximum Ratings at Ta=25 °C

| Parameter | Symbol | Rating | Unit |
|---|--------|------------|------|
| Operating Temperature Range | Topr. | -40 to +50 | °C |
| Storage Temperature Range | Tstg. | -40 to +60 | °C |
| Electric Static Discharge Threshold (HBM) | ESD | 6000 | V |
| Operating Humidity (non – condensing) | % | 20~90 | RH |



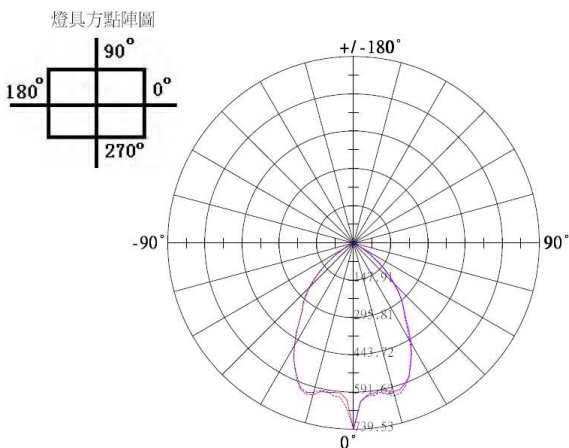
CF-HB-150W White Series

| PART NO. : CF-HB-150W 80° | Symbol | Condition | Min. | Typ. | Max. | Unit |
|------------------------------|-----------------|------------|-------|-------|------|------|
| Parameter | | | | | | |
| Luminous Flux | Φ_v | 90-305 VAC | 11900 | 14100 | - | lm |
| Correlated Color Temperature | CCT | 90-305 VAC | 5750 | 6250 | 6750 | K |
| Color Index | % | 90-305 VAC | 70 | - | - | Ra |
| Viewing Angle | $\Delta \theta$ | 90-305 VAC | -- | 80° | -- | Deg |
| Illuminance @ 1M distance | | 90-305 VAC | 18700 | 22000 | -- | Lux |
| Illuminance @ 8M distance | | 90-305 VAC | 330 | 395 | -- | Lux |
| Illuminance @ 10M distance | | 90-305 VAC | 185 | 220 | -- | Lux |
| Illuminance @ 12M distance | | 90-305 VAC | 125 | 150 | -- | Lux |
| Illuminance @ 15M distance | | 90-305 VAC | 85 | 100 | -- | Lux |
| Power Consumption | PD | 90-305 VAC | -- | 150 | 170 | W |
| Power Factor | | 90-305 VAC | 0.92 | 0.95 | -- | |
| Finished weight | | | -- | 3.5 | 4 | kg |

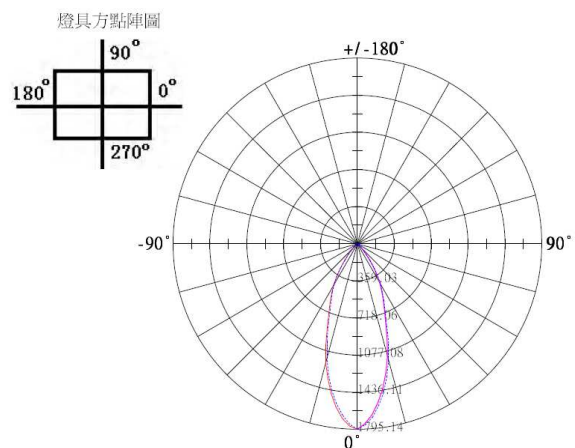


| PART NO. : CF-HB-150W 110° | Symbol | Condition | Min. | Typ. | Max. | Unit |
|------------------------------|-----------------|------------|-------|-------|------|------|
| Parameter | | | | | | |
| Luminous Flux | Φ_v | 90-305 VAC | 12450 | 14650 | - | lm |
| Correlated Color Temperature | CCT | 90-305 VAC | 5750 | 6250 | 6750 | K |
| Color Index | % | 90-305 VAC | 70 | - | - | Ra |
| Viewing Angle | $\Delta \theta$ | 90-305 VAC | -- | 110° | -- | Deg |
| Illuminance @ 1M distance | | 90-305 VAC | 6370 | 7500 | | Lux |
| Illuminance @ 8M distance | | 90-305 VAC | 130 | 155 | | Lux |
| Illuminance @ 10M distance | | 90-305 VAC | 100 | 120 | | Lux |
| Illuminance @ 12M distance | | 90-305 VAC | 70 | 85 | | Lux |
| Illuminance @ 15M distance | | 90-305 VAC | 45 | 55 | | Lux |
| Power Consumption | PD | 90-305 VAC | -- | 150 | 170 | W |
| Power Factor | | 90-305 VAC | 0.92 | 0.95 | -- | |
| Finished weight | | | -- | 3.5 | 4 | kg |

Radiation Diagram



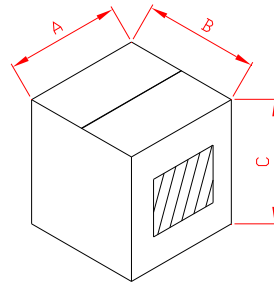
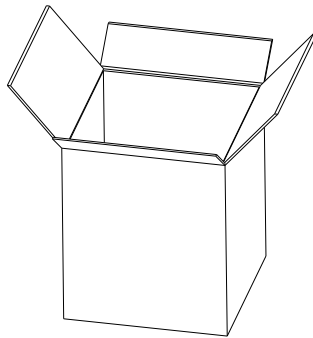
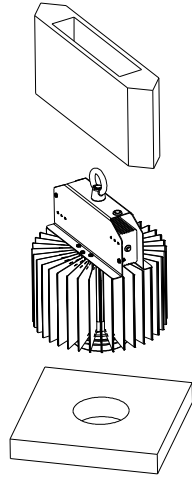
CF-HB Series 110°



CF-HB Series 80°



Packing method



| Part No. | A (mm) | B (mm) | C (mm) |
|------------|--------|--------|--------|
| CF-HB-150W | 290 | 290 | 324 |



Packing method

