

**Core Focus**  
鑫密科技企業有限公司

40148 台中市東區振興路280巷20-2號  
電話：04-22135928  
傳真：04-22130155  
電子郵件：core.focus156@gmail.com  
網址：http://www.cf-lights.com



**PART NO.:CF-HB-120W**  
**High Bay Light**  
**LED Lamp**

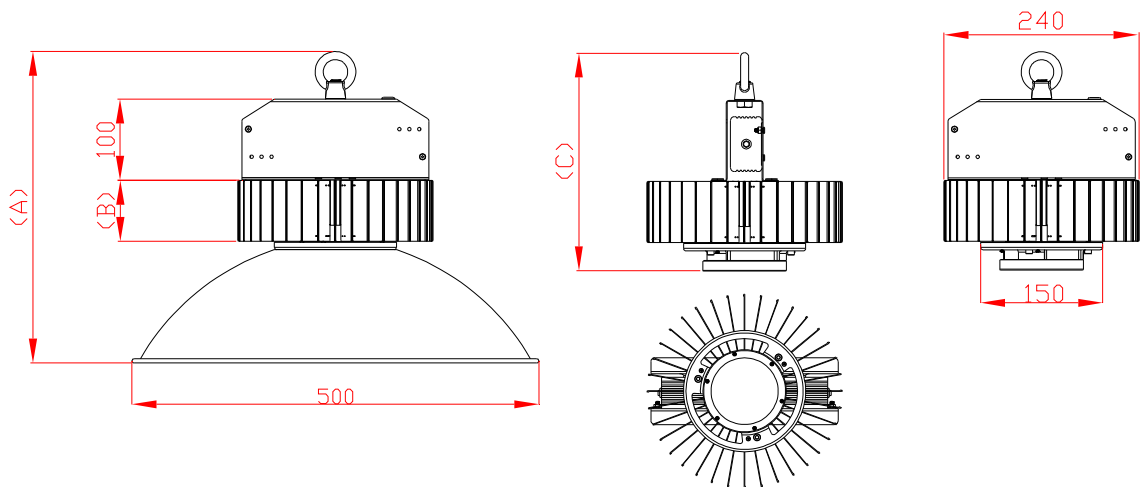


Legend(圖例) :



Dimensions(尺寸):

120W



PART NO.	(A) ± 3.0(mm)	(B) ± 3.0(mm)	(C) ± 3.0(mm)
CF-HB-120W 80°	385 mm	75 mm	290 mm
CF-HB-120W 110°	385 mm	75 mm	270 mm

1. All dimensions are in millimeters.
2. Tolerance is ±0.5 mm(±0.02 inch) unless otherwise noted.



**Description**

Part No.	Emitting Color	CCT	Operation Voltage
CF-HB White	White	6250K	90-305 VAC
		WE、WF、WG	

**Absolute Maximum Ratings at Ta=25 °C**

Parameter	Symbol	Rating	Unit
Operating Temperature Range	Topr.	-40 to +50	°C
Storage Temperature Range	Tstg.	-40 to +60	°C
Electric Static Discharge Threshold (HBM)	ESD	6000	V
Operating Humidity ( non – condensing )	%	20~90	RH



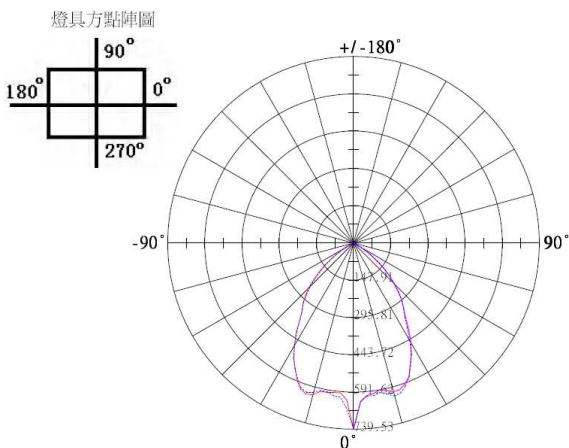
## CF-HB-120W White Series

PART NO. : CF-HB-120W 80°	Symbol	Condition	Min.	Typ.	Max.	Unit
Parameter						
Luminous Flux	$\Phi_v$	90-305 VAC	10300	12100	-	lm
Correlated Color Temperature	CCT	90-305 VAC	5750	6250	6750	K
Color Index	%	90-305 VAC	70	-	-	Ra
Viewing Angle	$\Delta \theta$	90-305 VAC	--	80°	--	Deg
Illuminance @ 1M distance		90-305 VAC	15300	18000	--	Lux
Illuminance @ 8M distance		90-305 VAC	260	310	--	Lux
Illuminance @ 10M distance		90-305 VAC	145	170	--	Lux
Illuminance @ 12M distance		90-305 VAC	100	120	--	Lux
Illuminance @ 15M distance		90-305 VAC	60	75	--	Lux
Power Consumption	PD	90-305 VAC	--	120	135	W
Power Factor		90-305 VAC	0.92	0.95	--	
Finished weight			--	3.5	4	kg

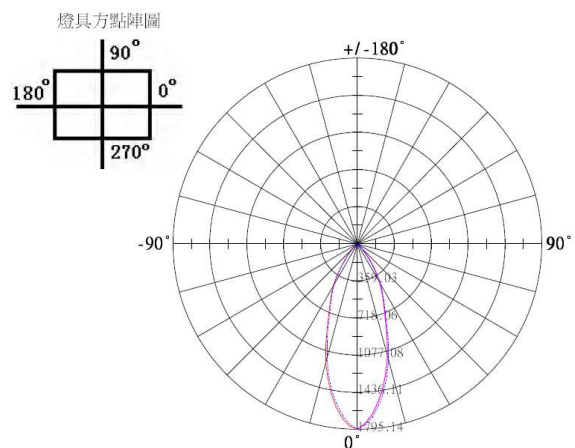


PART NO. : CF-HB-120W 110°						
Parameter	Symbol	Condition	Min.	Typ.	Max.	Unit
Luminous Flux	$\Phi_v$	90-305 VAC	11200	13200	-	lm
Correlated Color Temperature	CCT	90-305 VAC	5750	6250	6750	K
Color Index	%	90-305 VAC	70	-	-	Ra
Viewing Angle	$\Delta \theta$	90-305 VAC	--	110°	--	Deg
Illuminance @ 1M distance		90-305 VAC	5000	5900	--	Lux
Illuminance @ 8M distance		90-305 VAC	105	125	--	Lux
Illuminance @ 10M distance		90-305 VAC	80	95	--	Lux
Illuminance @ 12M distance		90-305 VAC	55	65	--	Lux
Illuminance @ 15M distance		90-305 VAC	35	45	--	Lux
Power Consumption	PD	90-305 VAC	--	120	135	W
Power Factor		90-305 VAC	0.92	0.95	--	
Finished weight			--	3.5	4	kg

### Radiation Diagram



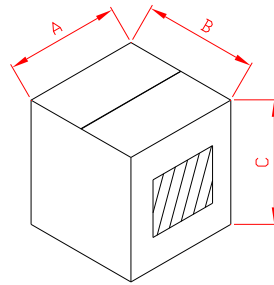
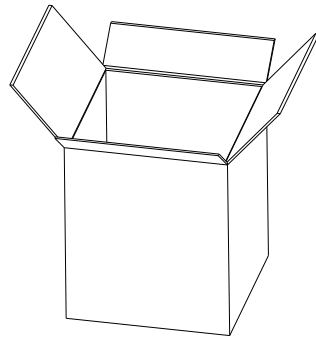
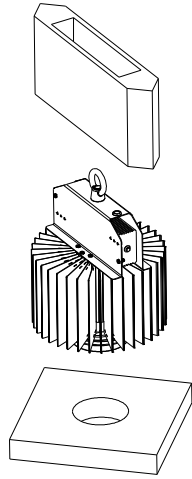
CF-HB Series 110°



CF-HB Series 80°



### Packing method



Part No.	A (mm)	B (mm)	C (mm)
CF-HB-120W	290	290	324



### Packing method

