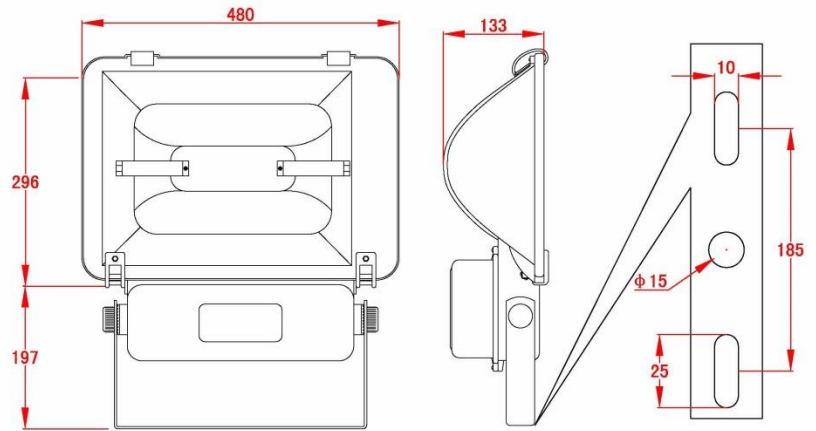


SPECIFICATION

PART NO.:CF-3522

投光燈

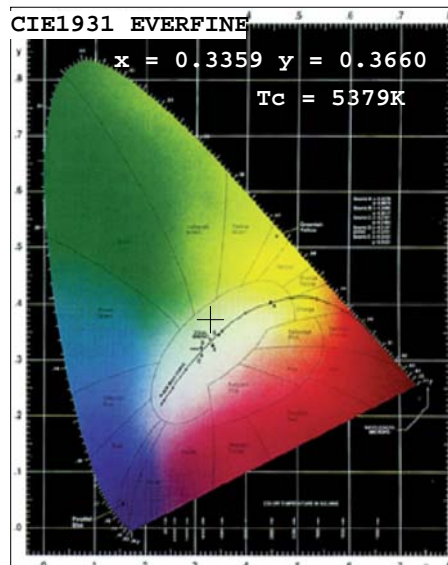
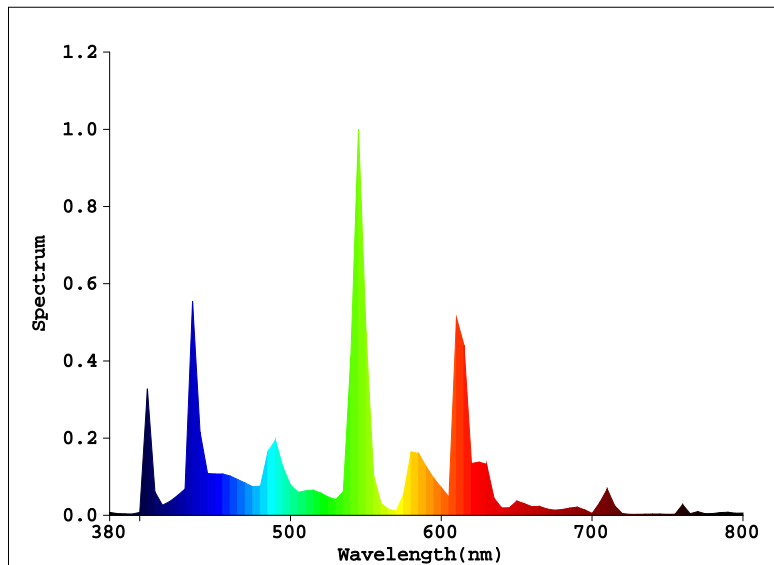
低頻無極燈



型號	CF-3522
耗電量	150W
光源型式	矩形低頻感應燈管*1 pcs
光通量	12,000 lm
光效	≥80 lm/w
輸入電壓	AC 100V~300V 50Hz / 60Hz
功率因數	PF≥0.98
額定電流	1.36A (110V) / 0.68A (220V)
總諧波(THD)	≤10%
工作溫度	-20°C~60°C
色溫	白光
顯色性	Ra≥80
防護面	強化玻璃
尺寸(mm)	L480*W493*H133
壽命	100,000 小時
防護等級	IP65
保固	2 年

Spectrophotometer Test Report

Light Source Test Report



Color Parameters:

Chromaticity Coordinate: $x=0.3359$ $y=0.3660$ / $u'=0.1999$ $v'=0.4902$

$T_c=5379K$ Dominant WL: $L_d=557.8nm$ Purity=10.7% Centroid WL: $544.0nm$

Ratio: $R=18.7\%$ $G=76.6\%$ $B=4.6\%$ Peak WL: $L_p=545.0nm$ HWL: $9.0nm$

Render Index: $R_a=76.6$

R1 =88	R2 =83	R3 =51	R4 =81	R5 =80	R6 =69	R7 =83	
R8 =78	R9 =23	R10=33	R11=68	R12=48	R13=87	R14=68	R15=90

Photo Parameters:

Flux: 12797 lm Fe: 39.841 W Efficacy: 80.13 lm/W

LEVEL: WHITE:OUT

Electrical Parameters:

Luminaire: $U=220.2V$ $I=0.7260A$ $P=159.7W$ $PF=0.9990$

Instrument Status:

Scan Range: $380.0nm-800.0nm$
REF=51767(R=3)

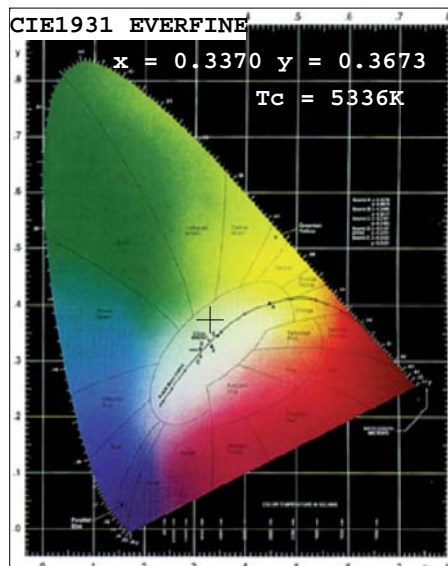
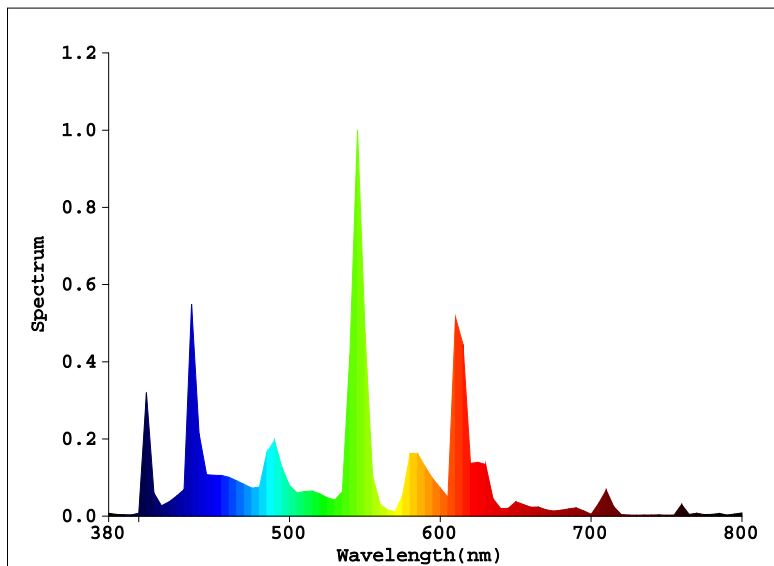
Interval: $5.0nm[0]$
%=-0.031%

$I_p=10403(G=2,D=54)$
PMT: 32.1 centigrade [33.6]

5000K

Spectrophotometer Test Report

Light Source Test Report



Color Parameters:

Chromaticity Coordinate: $x=0.3370$ $y=0.3673$ $u'=0.2002$ $v'=0.4909$

Tc=5336K Dominant WL:Ld=559.0nm Purity=11.4% Centroid WL:544.0nm

Ratio:R=18.9% G=76.5% B=4.6% Peak WL:Lp=545.0nm HWL:9.0nm

Render Index:Ra=76.7

R1 =88	R2 =83	R3 =51	R4 =81	R5 =80	R6 =69	R7 =83	
R8 =79	R9 =23	R10=33	R11=68	R12=48	R13=87	R14=68	R15=91

Photo Parameters:

Flux: 12954 lm Fe: 40.195 W Efficacy:80.91 lm/W

LEVEL: WHITE:OUT

Electrical Parameters:

Luminaire: U=220.2V I=0.7280A P=160.1W PF=0.9980

Instrument Status:

Scan Range:380.0nm-800.0nm Interval:5.0nm[0]
REF=52407(R=3) %=0.021%

Ip=10480(G=2,D=54)
PMT: 31.9 centigrade [35.0]

5000K