



鑫密科技企業有限公司

台中市東區建智街26號

TEL : 04-22802156

FAX : 04-22802132

E-MAIL core.focus156@gmail.com

<http://www.cf-lights.com>

# SPECIFICATION

PART NO.:CF-3422B-100W

天井燈

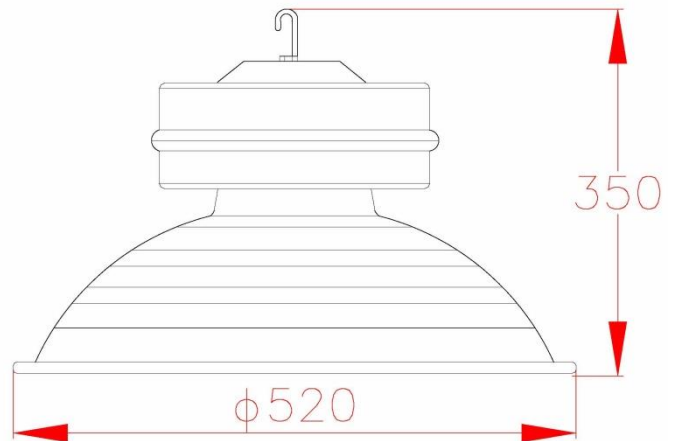
低頻無極燈



**Core Focus**  
Technology Enterprise Co.Ltd

CF-3422B-100W

天井燈

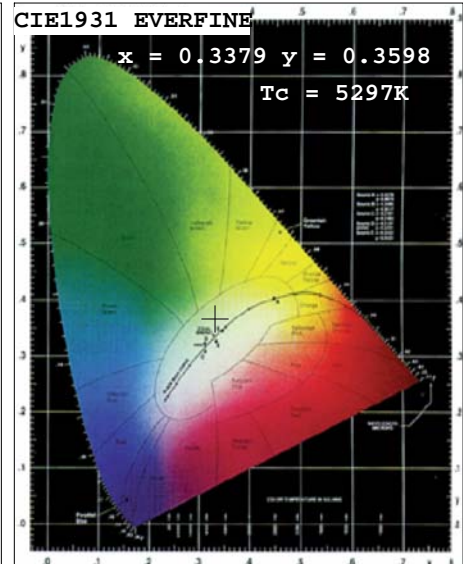
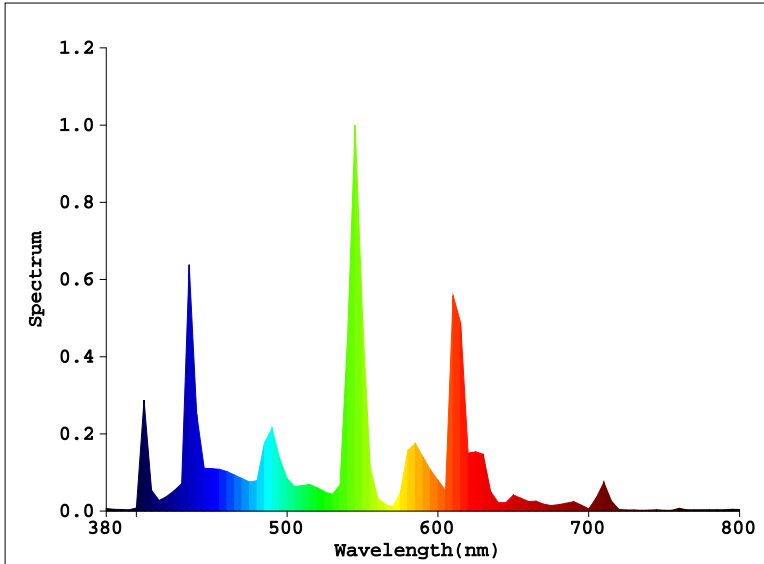


型號	CF-3422B
耗電量	100W
光源型式	環形低頻感應燈管*1 pcs
光通量	8,000 lm
光效	≥80 lm/w
輸入電壓	AC 100V~300V 50Hz / 60Hz
功率因數	PF≥0.98
額定電流	0.9A ( 110V ) / 0.45A ( 220V )
總諧波(THD)	≤10%
工作溫度	-20°C~60°C
色溫	白光
顯色性	Ra≥80
尺寸(mm)	Φ520*H350
壽命	100,000 小時
保固	2 年



Spectrophotocolorimeter Test Report

Light Source Test Report



**Color Parameters:**

Chromaticity Coordinate: $x=0.3379$   $y=0.3598/u'=0.2035$   $v'=0.4876$

$T_c=5297K$  Dominant WL:Ld=561.2nm Purity=9.4% Centroid WL:544.0nm

Ratio:R=19.7% G=75.6% B=4.7% Peak WL:Lp=545.0nm HWL:9.4nm

Render Index:Ra=78.9

R1 =93	R2 =86	R3 =50	R4 =83	R5 =84	R6 =72	R7 =82	
R8 =81	R9 =34	R10=38	R11=73	R12=53	R13=92	R14=68	R15=94

**Photo Parameters:**

Flux: 8908.8 lm                      Efficacy:80.99 lm/W

LEVEL:                      WHITE:OUT

**Electrical Parameters:**

Luminaire: U=220.4V I=0.5000A P=110.0W PF=0.9960

*Instrument Status:*

Scan Range:380.0nm-800.0nm    Interval:5.0nm[0]  
REF=39742(R=3)                      %=0.008%

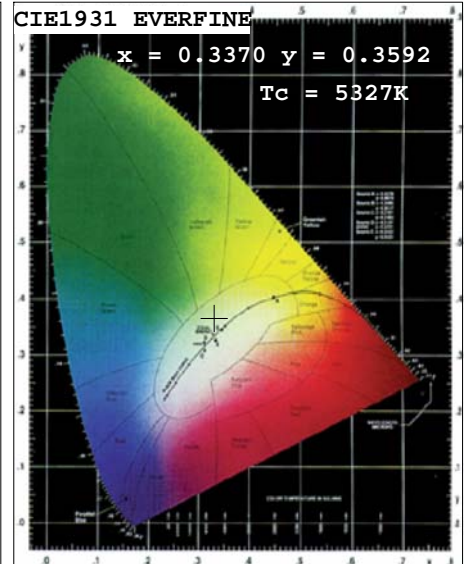
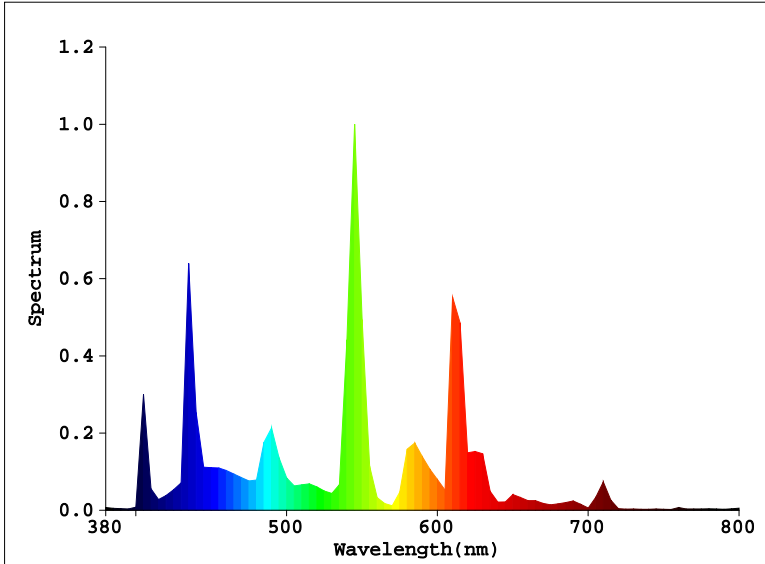
$I_p=44445(G=3,D=54)$   
PMT: 29.5 centigrade [32.4]

5000K



Spectrophotocolorimeter Test Report

Light Source Test Report



**Color Parameters:**

Chromaticity Coordinate: $x=0.3370$   $y=0.3592$ / $u'=0.2031$   $v'=0.4872$

$T_c=5327K$  Dominant WL: $L_d=560.2nm$  Purity= $8.9\%$  Centroid WL: $544.0nm$

Ratio: $R=19.6\%$   $G=75.7\%$   $B=4.7\%$  Peak WL: $L_p=545.0nm$  HWL: $9.4nm$

Render Index: $R_a=78.7$

R1 =93	R2 =86	R3 =50	R4 =82	R5 =84	R6 =72	R7 =82	
R8 =81	R9 =34	R10=37	R11=73	R12=53	R13=91	R14=68	R15=94

**Photo Parameters:**

Flux: 8841.0 lm                      Efficacy:81.71 lm/W

LEVEL:              WHI

**Electrical Parameters:**

Luminaire: U=220.3V I=0.4930A P=108.2W PF=0.9960

*Instrument Status:*

Scan Range:380.0nm-800.0nm    Interval:5.0nm[0]  
REF=39437(R=3)                      %=0.025%

$I_p=44092(G=3,D=54)$   
PMT: 29.8 centigrade [32.2]

5000K